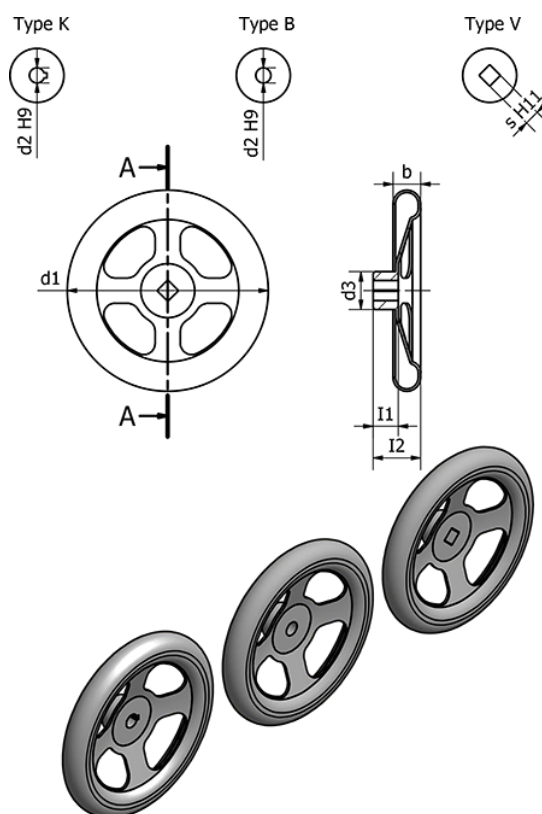


Article number: 202274200B14A
 Description: E+G Handwheel
 GN 227.4-200-B14-A

Measures



b	= 22	Thickness of steel = -
d1	= 0	Thickness of steel = 2.5
d2 H9	= B14	Weight (g) = 824
d3	= 40	
l1	= 24	
l2	= 44	
s H11	= -	
Spokes no.	= 4	